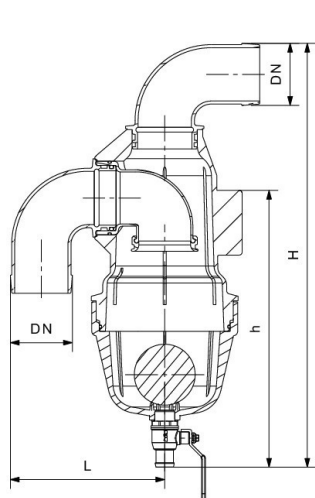




RIV 332

Techno-polymer great capacity siphon
with bent hose-connection and discharge cock
with key

Tech drawings and tables



DN	Code	H	h	L	PN	KG	P/box
50	050332000053	546	380	276	3bar - 45psi	4,646	1
60	050332000055	557	380	284	3bar - 45psi	5,181	1
75	050332000059	573	380	300	3bar - 45psi	5,897	1
80	050332000061	575	380	307	3bar - 45psi	6,165	1

Advantages

Body in an unbreakable and anticorrosion techno-polymer, with supporting ribs in the most stressed points.

Double fixing bracket to guarantee a better stability and sturdiness against vibrations.

This siphon is the biggest one on the market thanks to its 3,5 Liter capacity, that corresponds to 55% more than the other siphons of the same type.

Cup made in a special transparent and shockproof techno-polymer.

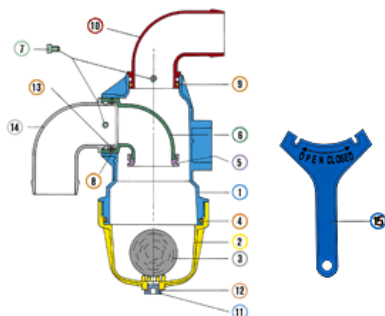
Anticorrosion stainless steel fixing screws.

Equipped with a practical key for an easy opening and closing of the cup.

Possible manometer connections.

Technical data

Art. 330



Materials

1	Body	PP+glass fibres	
2	Cup	Acetate	
3	Ball	EPDM	
4	O-Ring	NBR	
5	Gasket	NBR	
6	Inner bent	PP	
7	Screw	Stainless Steel	AISI 304
8	O-Ring	NBR	
9	O-Ring	NBR	
10	Hose-connection	Brass	CB754S
11	Plug	PA+glass fibres	
12	Gasket	NBR	
13	O-Ring	NBR	
14	Hose-connection	Brass	CB754S
15	Key	PP+glass fibres	

Connections

Hose-connection

Limit

-20 °C (without liquid) +90 °C

Notes

The max.working pressure (PN) means at a room temperature of about 23 °C.